



**Dksortho & Sharma
Pharmaceutical
Pvt. Ltd.**

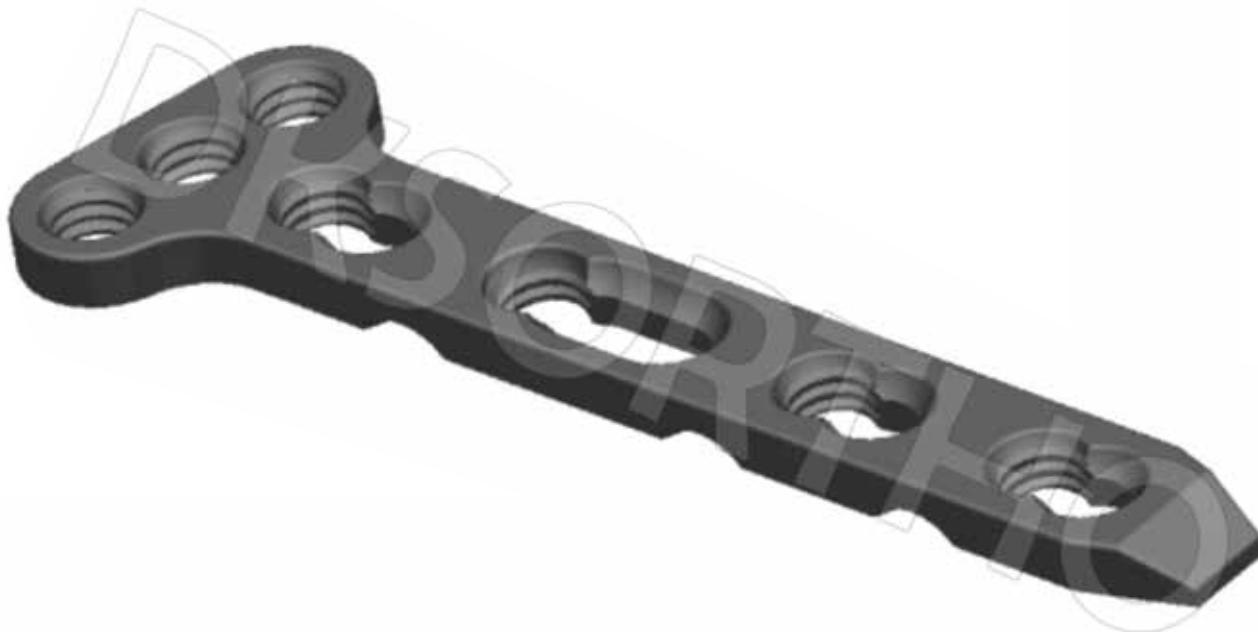
DORSAL DISTAL RADIUS T- OBLIQUE LOCKED PLATE



DORSAL DISTAL RADIUS T- OBLIQUE LOCKED PLATE

DESCRIPTION

Cat No. SS :- S23.DDRTOLPSS	Cat No. TIT :- S23.DDRTOLPTT
Suitable For	Dorsal Plates For Fractures And Osteotomies Of The Distal Radius
Screw	2.4 MM Cortex Locked Screw, 2.7 MM Cortical Screw
Hole	2.4 MM - 3 x 04 Hole To 2.4 MM - 3 x 18 Hole



HOLE	CAT. No. S.S :- S23.DDRTOLPSS	CAT. No. TIT :- S23.DDRTOLPTT
2.4 MM - 3 X 04 HOLE	S23.SS17319	S23.TIT17319
2.4 MM - 3 X 05 HOLE	S23.SS17320	S23.TIT17320
2.4 MM - 3 X 06 HOLE	S23.SS17321	S23.TIT17321
2.4 MM - 3 X 07 HOLE	S23.SS17322	S23.TIT17322
2.4 MM - 3 X 08 HOLE	S23.SS17323	S23.TIT17323
2.4 MM - 3 X 09 HOLE	S23.SS17324	S23.TIT17324
2.4 MM - 3 X 10 HOLE	S23.SS17325	S23.TIT17325
2.4 MM - 3 X 11 HOLE	S23.SS17326	S23.TIT17326
2.4 MM - 3 X 12 HOLE	S23.SS17327	S23.TIT17327
2.4 MM - 3 X 13 HOLE	S23.SS17328	S23.TIT17328
2.4 MM - 3 X 14 HOLE	S23.SS17329	S23.TIT17329
2.4 MM - 3 X 15 HOLE	S23.SS17330	S23.TIT17330
2.4 MM - 3 X 16 HOLE	S23.SS17331	S23.TIT17331
2.4 MM - 3 X 17 HOLE	S23.SS17332	S23.TIT17332
2.4 MM - 3 X 18 HOLE	S23.SS17333	S23.TIT17333